

Technical File

COVID-19 FFP2 mask 'Corona Protection Mask'

Product article number 434050

Koninklijke Auping BV

3 Product Description

The COVID-19 FFP2 mask 'Corona Protection Mask', article number 434050 is a disposable protection face mask. It is a face mask covering the mouth and nose, strapped to the face by means of elastic bands.

Intended Use

The corona protection mask can be used by healthcare professionals in various healthcare institutions in the Netherlands for the treatment and care of patients suffering of the corona virus. The corona protection mask increases the safety of healthcare professionals against the corona virus. It will protect the healthcare professionals against inhalation of the corona virus.

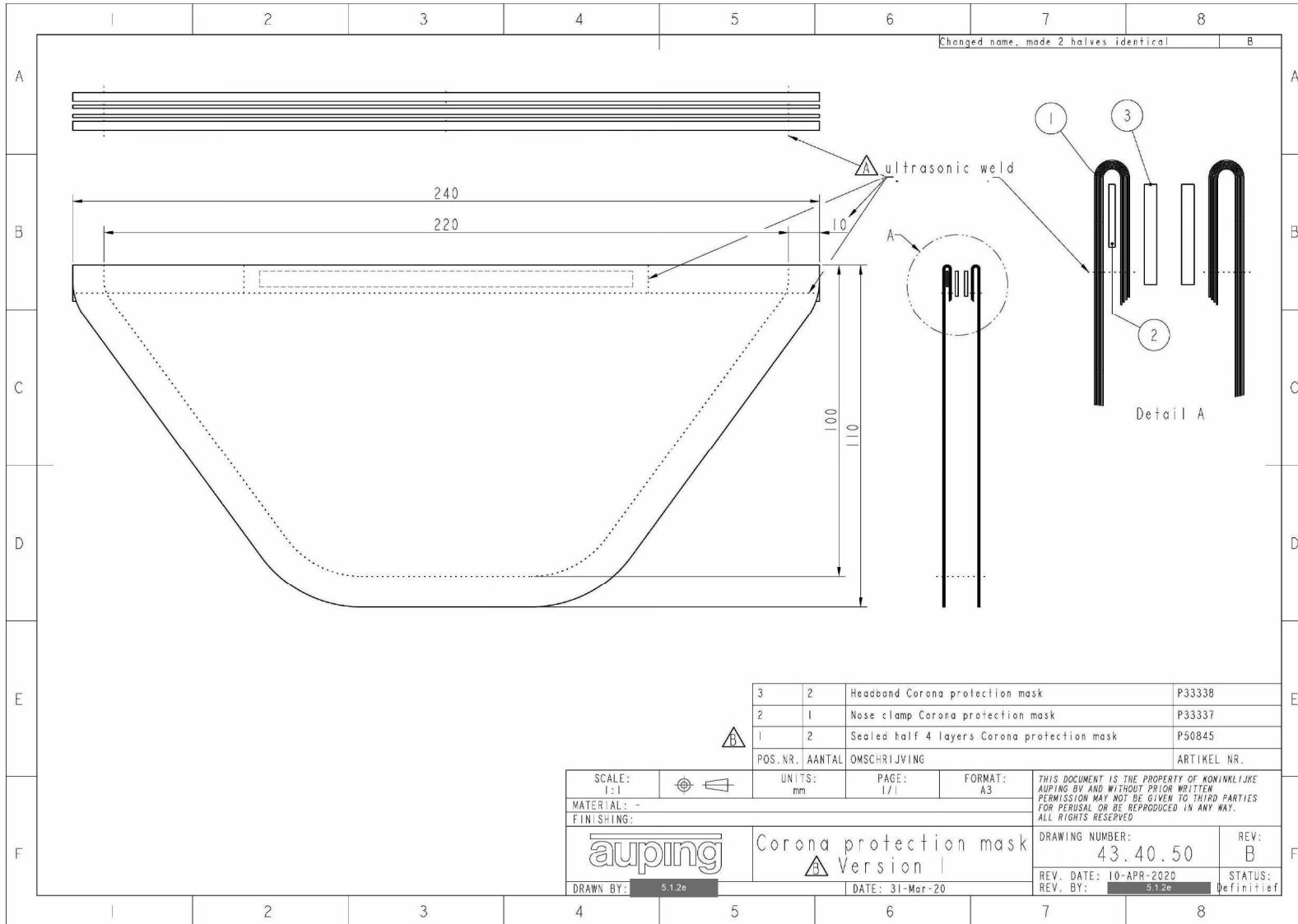
It is a single use product: for each contact with a patient suffering of the corona virus, the healthcare professional will use a new corona protection mask.

6 Drawings

COVID-19 FFP2	Art.nr.	Quantity	Reference to technical drawing
Total assembly	434050		CPM-001-20_H6-5 (434050_b.pdf)

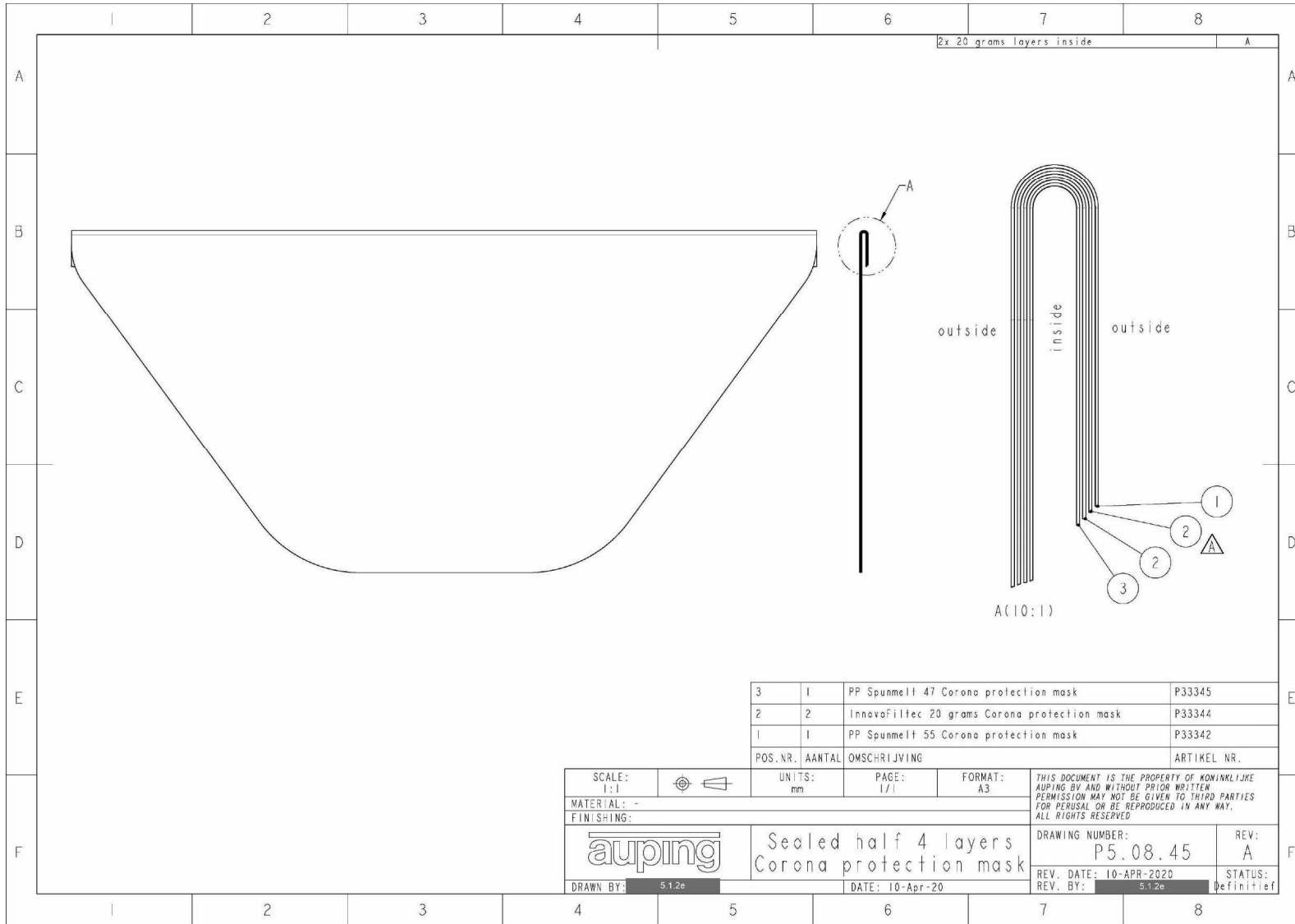
434050	Art.nr.	Quantity	Reference to technical drawing
Sub assembly 'Sealed half 4 layers Corona protection mask'	P50842	2	CPM-001-20_H6-6 (p50842.pdf)
Nose clamp Corona Protection Mask	P33337	1	CPM-001-20_H6-3.pdf
Headband Corona Protection Mask	P33338	2	-

P50842	Art.nr.	Quantity	Reference to technical drawing
Layer 1	P33333	Spunmelt 55	CPM-001-20_H6-4 (p33331 snijdeel enkel.pdf)
Layer 2	P33335	InnovaFiltec 20	CPM-001-20_H6-4 (p33331 snijdeel enkel.pdf)
Layer 3	P33336	InnovaFiltec 30	CPM-001-20_H6-4 (p33331 snijdeel enkel.pdf)
Layer 4	P33334	Spunmelt 47	CPM-001-20_H6-4 (p33331 snijdeel enkel.pdf)



3	2	Headband Corona protection mask	P33338
2	1	Nose clamp Corona protection mask	P33337
1	2	Sealed half 4 layers Corona protection mask	P50845
POS. NR.	AANTAL	OMSCHRIJVING	ARTIKEL NR.

SCALE: 1:1	UNITS: mm	PAGE: 1/1	FORMAT: A3	THIS DOCUMENT IS THE PROPERTY OF KONINKLIJKE AUPING BV AND WITHOUT PRIOR WRITTEN PERMISSION MAY NOT BE GIVEN TO THIRD PARTIES FOR PERUSAL OR BE REPRODUCED IN ANY WAY. ALL RIGHTS RESERVED
MATERIAL: -	FINISHING: -	DRAWING NUMBER: 43.40.50		
		Corona protection mask Version 1		REV. DATE: 10-APR-2020 REV. BY: 5.1.2e
DRAWN BY: 5.1.2e		DATE: 31-Mar-20		STATUS: Definitief



3	1	PP Spunmelt 47 Corona protection mask	P33345
2	2	InnovaFiltec 20 grams Corona protection mask	P33344
1	1	PP Spunmelt 55 Corona protection mask	P33342
POS. NR.	AANTAL	OMSCHRIJVING	ARTIKEL NR.

SCALE: 1:1		UNITS: mm	PAGE: 1/1	FORMAT: A3	THIS DOCUMENT IS THE PROPERTY OF KONINKLIJKE AUPING BV AND WITHOUT PRIOR WRITTEN PERMISSION MAY NOT BE GIVEN TO THIRD PARTIES FOR PERUSAL OR BE REPRODUCED IN ANY WAY. ALL RIGHTS RESERVED	
MATERIAL: -	FINISHING:	DRAWING NUMBER: P5.08.45				REV: A
		Sealed half 4 layers Corona protection mask			REV. DATE: 10-APR-2020	STATUS: Definitief
DRAWN BY: 5.12e	DATE: 10-Apr-20		REV. BY: 5.12e			

7 List of components

Table 1 List of components

NR	Part	Art.nr.	Material	Supplier	Reference to file(s)
a	Layer 1	P33333	Spunmelt 55	Schaafsma Paper Group	CPM-001-20_H7-1A.pdf CPM-001-20_H7-1C.pdf CPM-001-20_H7-1D.pdf
b	Layer 2	P33335	InnovaFiltec 20	DSM	CPM-001-20_H7-2.pdf
c	Layer 3	P33335	InnovaFiltec 20	DSM	CPM-001-20_H7-2.pdf
d	Layer 4	P33334	Spunmelt 47	Schaafsma Paper Group	CPM-001-20_H7-4.pdf CPM-001-20_H7-1C.pdf CPM-001-20_H7-1D.pdf
e	Nose clamp Corona Protection Mask	P33337	Aluminium	To be defined	CPM-001-20_H6-3.pdf
f	Headband Corona Protection Mask	P33338	EH3R7-008-D00	Juritex	

