



Ministerie van Volksgezondheid,
welzijn en sport
Ministerie van Volksgezondheid,
welzijn en sport



Covid Informatie & Moni

The Dutch approach for covid
vaccination registration

ECDC, Nov 17, 2020

Dr. 5.1.2e 5.1.2e

5.1.2e @rivm.nl

CIMS | 01 oktober 2020



Ministerie van Volksgezondheid
en Welzijn
Ministerie van Volksgezondheid,
Wetenschap en Sport



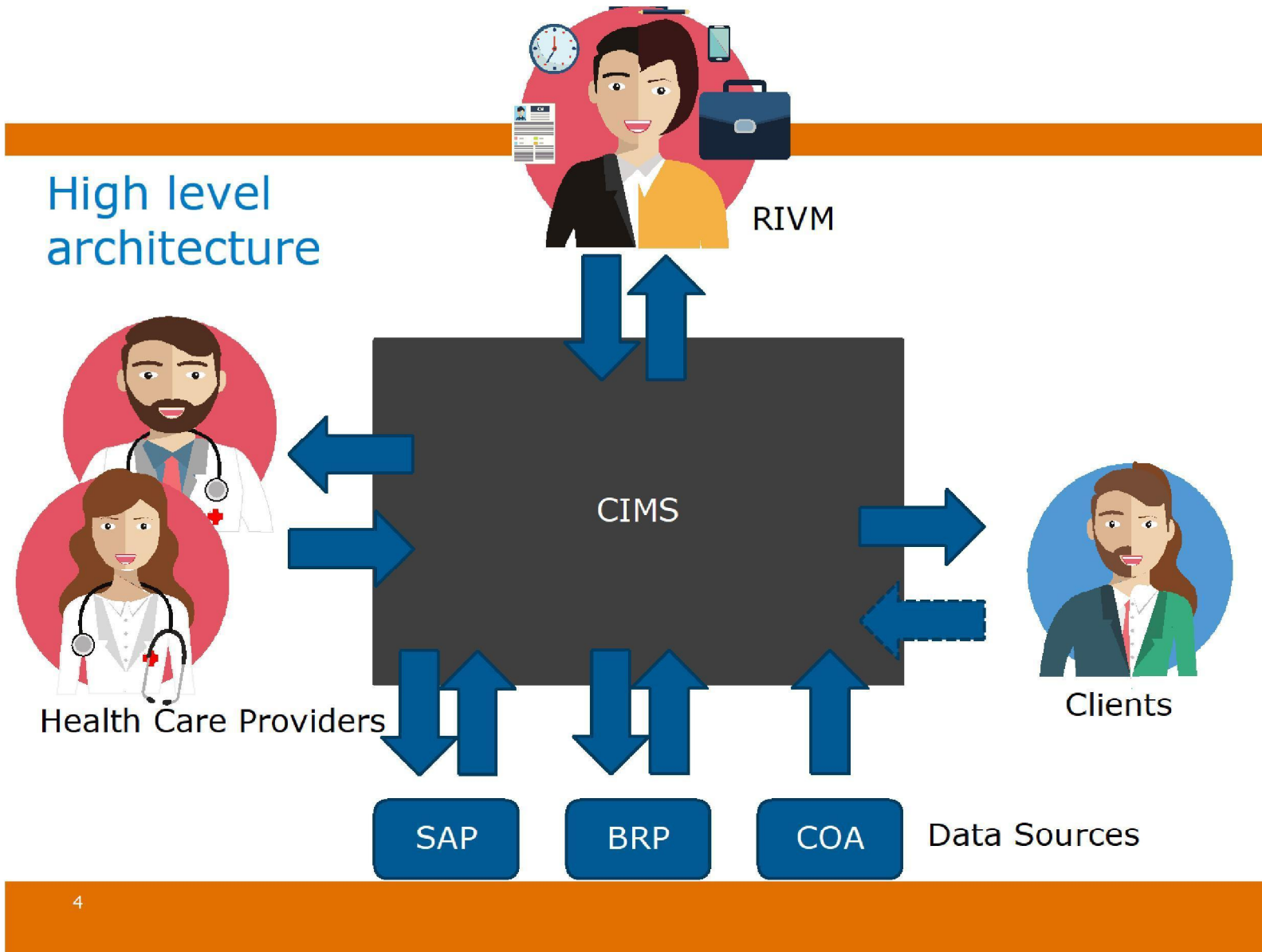
Contents

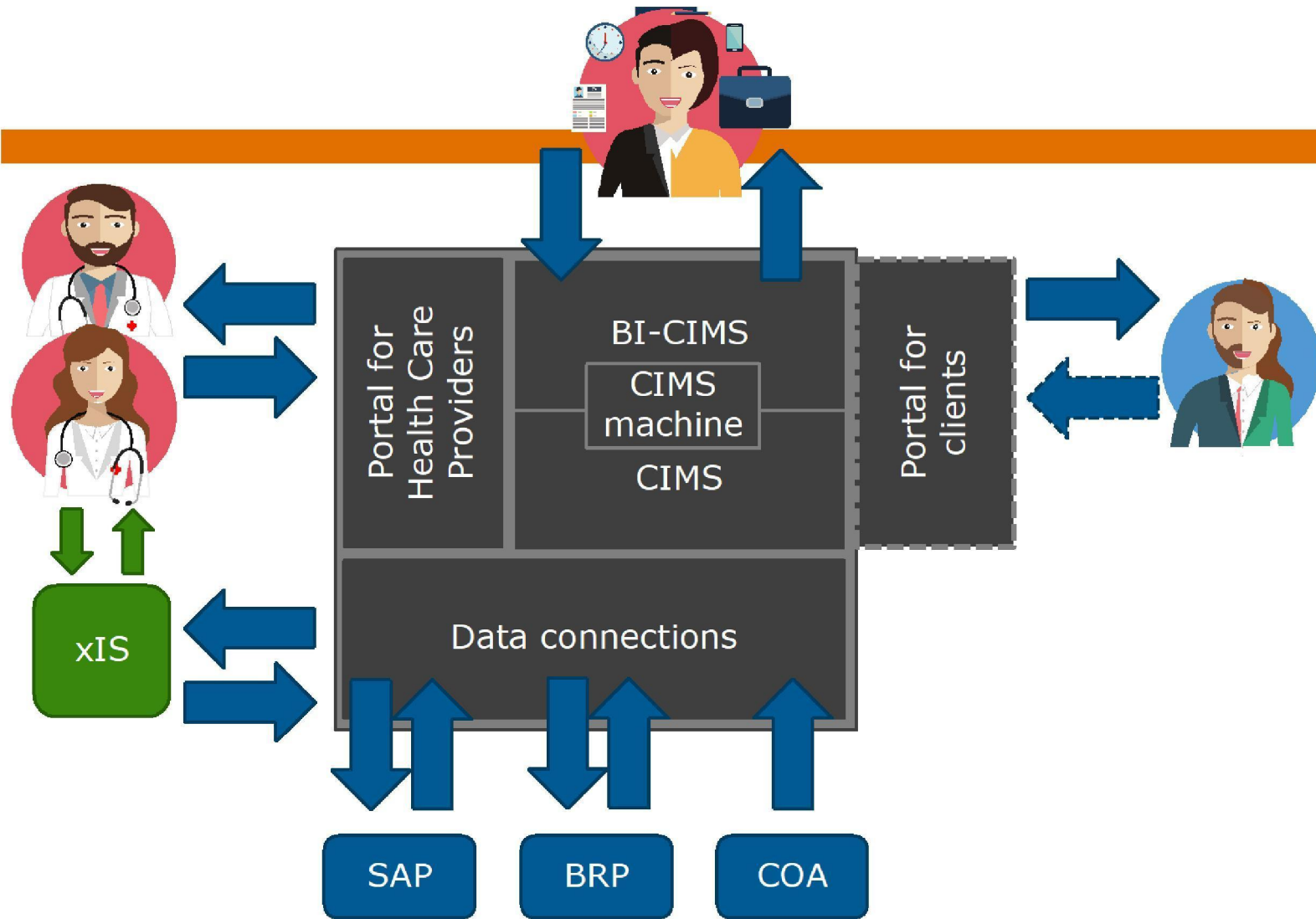
1. Starting points
2. Governance
3. High level architecture



Starting points

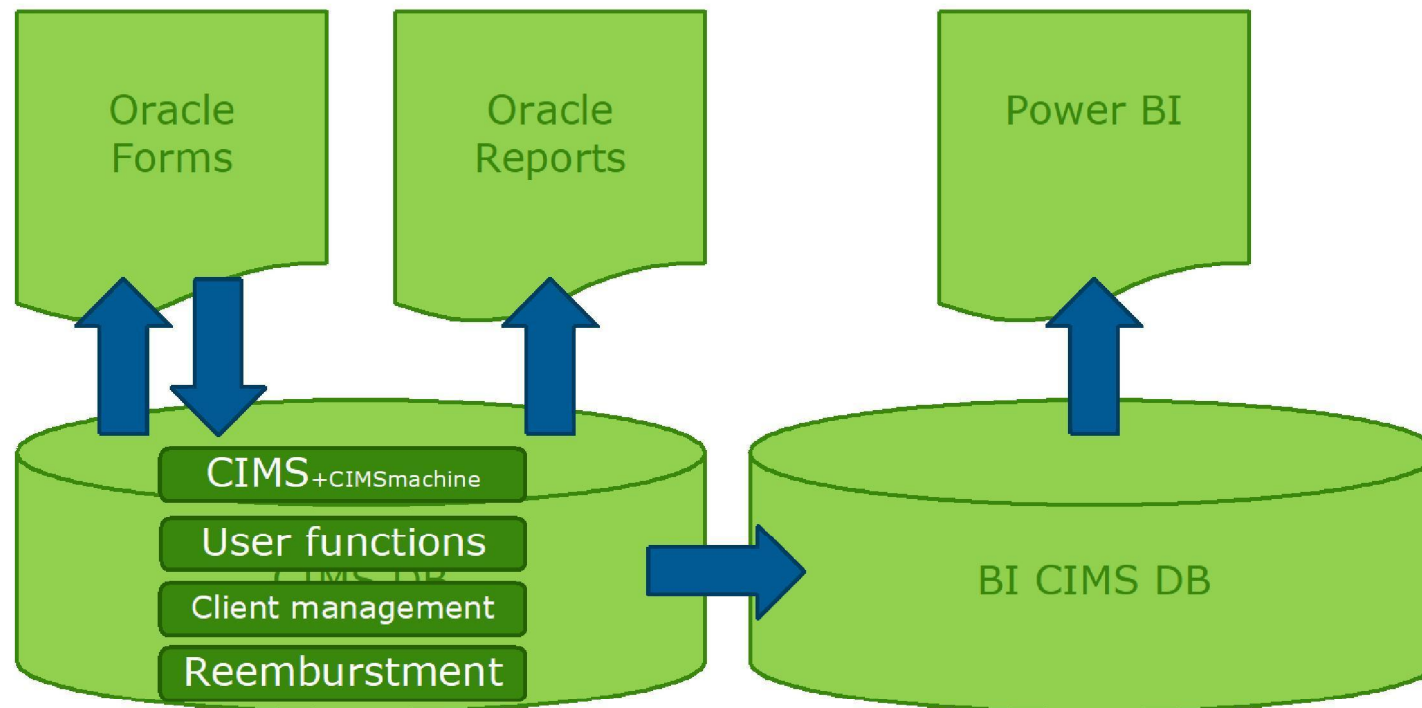
- Registration at the source: the healthcare organization that vaccinates performs registration in its own health record
- *Purpose of Covid Information and Monitoring System (CIMS):*
 - **Good & Safe patient care:** every doctor should be able to consult a central registry in case of doubt to obtain certainty about covid vaccinations.
 - **Fight against the pandemic:** availability of national data at the time of the fight against the COVID-19 outbreak for monitoring side effects and, if necessary, intervening, but also providing reassurance; Warn people in case of calamities and clarify liability issues; carrying out the vaccination campaign based on age.
 - **Limit administrative burdens for quick action:** In the unlikely event of a quality deviation in a production batch, it can easily be recalled ("recall"); Practical importance for citizens, for example by inviting them to have a second vaccination at the right time and being able to provide proof of vaccination.





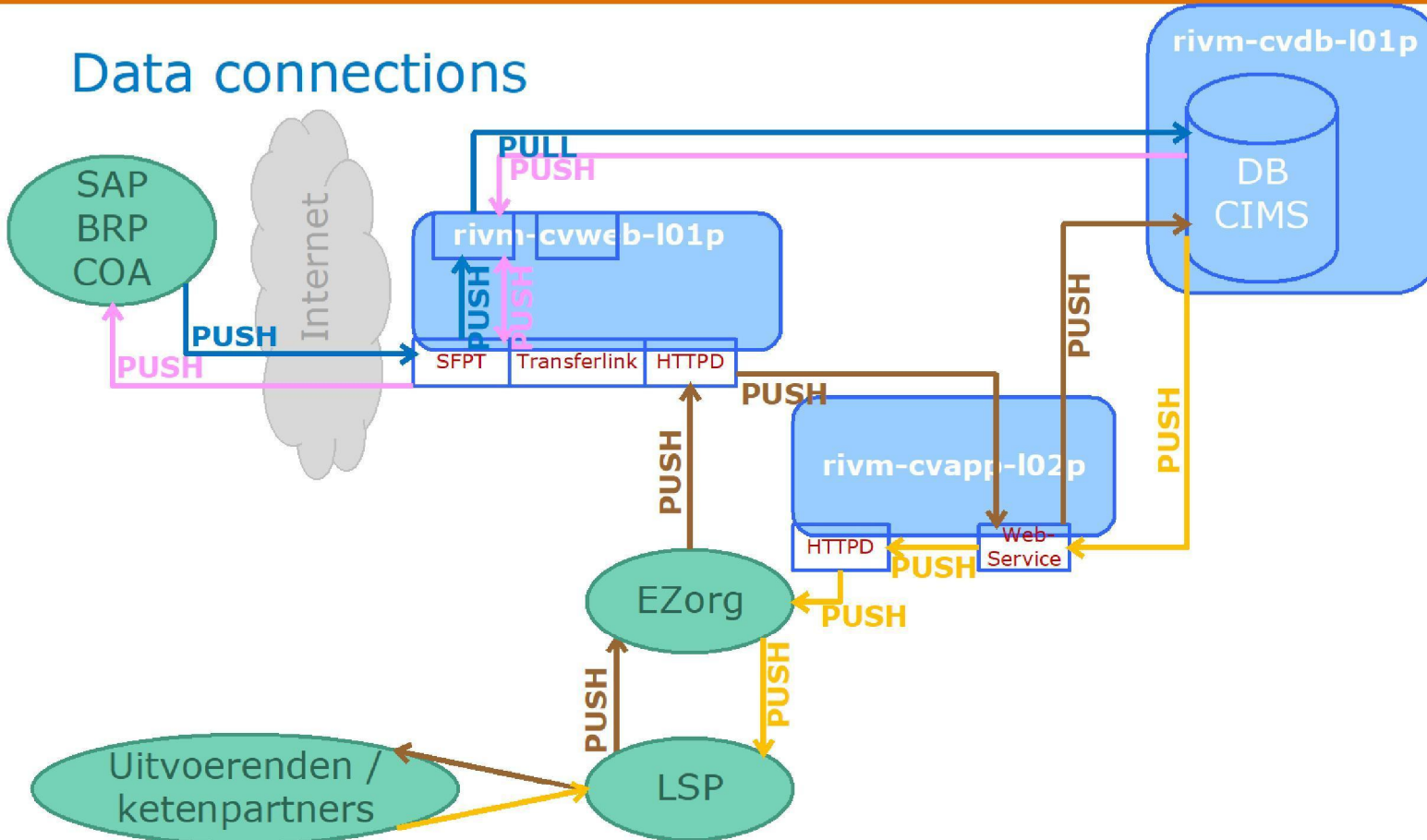


CIMS, BI-CIMS, CIMS machine





Data connections





Contact

RIVM

Dr.

5.1.2e

5.1.2e

5.1.2e

@rivm.nl